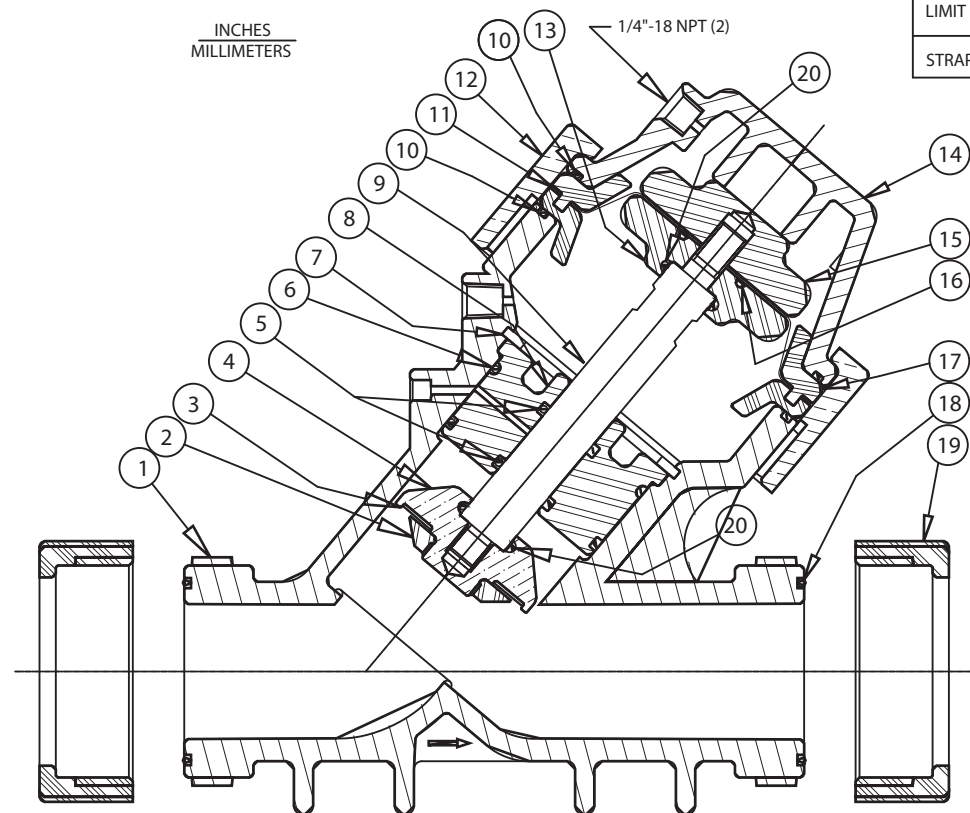


INCHES  
MILLIMETERS



1070312 (K535-X200-14000)  
**NORMALLY OPEN (STANDARD)**

REPAIR PARTS KITS		
DESCRIPTION	PART NO.	
DIAPHRAGM & SEALS KIT CONSISTS OF ITEM NO'S 3,5,6,10,11,16,18	1070320 (535-RAE) E.P.D.M. INCLUDES DIAPHRAGM 1073399 (V535-100)	1070328 (535-RAJ) BUTYL INCLUDES DIAPHRAGM 1073399 (V535-100)
	1082191 (535-RAVFB) FKM INCLUDES DIAPHRAGM 1073399 (V535-100)	
	1070344 (K535-RF)	
INT. PARTS KIT CONSISTS OF ITEM NO'S 2,4,7,8,9,13,15,17	1070344 (K535-RF)	


ASSEMBLY TOOLS	
DESCRIPTION	PART NO.
LIMIT STOP TOOL (TOOL NOT SHOWN)	1073556 (V560-579)
STRAP WRENCH (TOOL NOT SHOWN)	1073557 (V560-581)

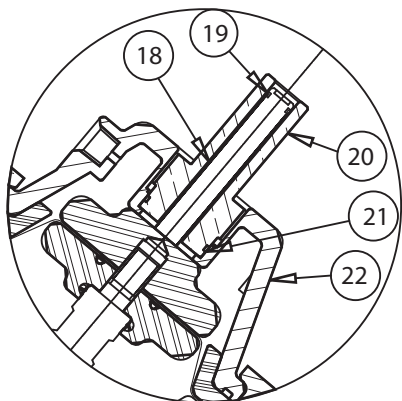
NOTE:  
CONNECTORS NOT FURNISHED WITH VALVE.  
SEE DWG. NO. 1078165 FOR FEMALE SOCKET  
WELD CONNECTORS.

NO.	DESCRIPTION	PART NO.	QTY.
1	BODY	1073407 (V535-410K)	1
2	DISC PLATE	PVC 1073396 (V535-093)	1
		NORYL 1073397 (V535-094)	
3	DISC	E.P.D.M. 1073401 (V535-110)	1
		BUTYL 1073402 (V535-111)	
		FKM 1073403 (V535-112)	
4	DISC HOLDER	PVC 1073416 (V535-500)	1
		NORYL 1073417 (V535-501)	
5	O-RING	E.P.D.M. 1242719 (ORE-212)	2
		BUTYL 1071777 (ORJ-212)	
		FKM 1242395 (ORV-212)	
6	O-RING	E.P.D.M. 1071753 (ORE-232)	2
		BUTYL 1071783 (ORJ-232)	
		FKM 1071825 (ORV-232)	
7	RETAINING RING	1073434 (V535-593)	1
8	SHAFT GUIDE	PVC 1073413 (V535-491)	1
		NORYL 1073414 (V535-492)	
9	SHAFT	PVC 1073439 (V535-702)	1
		NORYL 1073440 (V535-704)	
10	O-RING	BUNA 1071712 (ORB-248)	2
		FKM 1071833 (ORV-248)	
11	DIAPHRAGM	BUNA 1073399 (V535-100)	1
		FKM 1073400 (V535-101)	
12	CAP RETAINER NUT	1073383 (V535-030K)	1
13	LOWER DIA. PLATE	PVC 1073386 (V535-045)	1
		NORYL 1073387 (V535-046)	
14	CAP	1073382 (V535-020K)	1
15	UPPER DIA. PLATE	PVC 1073384 (V535-040)	1
		NORYL 1073385 (V535-041)	
16	O-RING	BUTYL 1076766 (ORB-214)	1
		FKM 1071817 (ORV-214)	
17	DIAPHRAGM SUPPORT	1073425 (V535-551K)	2
18	O-RING	E.P.D.M. 1071752 (ORE-231)	2
		BUTYL 1071782 (ORJ-231)	
		FKM 1071824 (ORV-231)	
19	SOCKET RETAINING NUT	1073395 (V535-080K)	2
20	O-RING	E.P.D.M. 1071745 (ORE-212)	2
		BUTYL 1071777 (ORJ-212)	
		FKM 1071816 (ORV-212)	

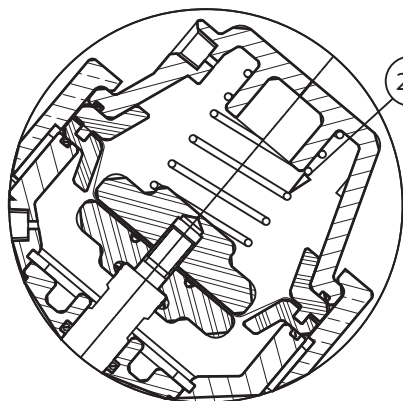
SEE REVERSE SIDE FOR CONFIGURATION OPTIONS

FORM NO. 1077690

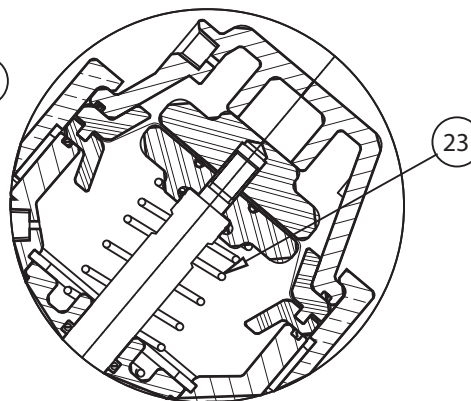
F	CORRECTED SAO & SAC KIT P/N'S	NONE	MSM	29MAR06	SMN
REV	DESCRIPTION	ECO	DWN	DATE	APVD
		16605 West Victor Rd New Berlin, WI 53151 262-326-0100 www.aq-matic.com			
<b>SERIES 535 DIAPHRAGM VALVE STANDARD MODEL</b>					
DRAWN	JWB	DATE	21JUN01	DRAWING NO.	1084010



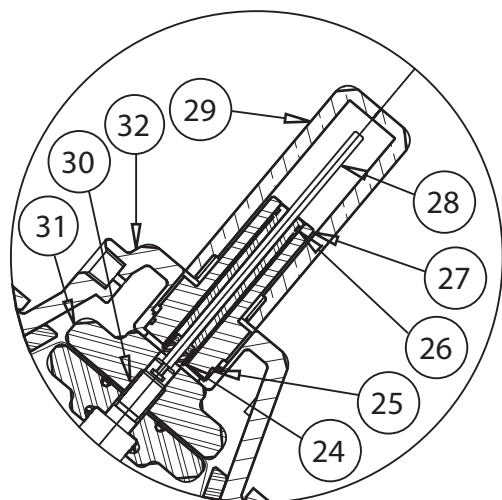
1070313 (K535-X210-14000)  
**LIMIT STOP**



1071367 (K535-X202-14000)  
**SPRING ASSIST CLOSED**



1071365 (K535-X201-14000)  
**SPRING ASSIST OPEN**



K535-X221-14000  
**LIMIT STOP/  
POSITION INDICATOR**


REPAIR PARTS KITS	
DESCRIPTION	PART NO.
INT. PARTS KIT (LIMIT STOP) CONSISTS OF ITEM NO'S 18 THRU 21	1075234 (535-LS)
INT. PARTS KIT (SPRING ASSIST CLOSED) CONSISTS OF ITEM NO. 23	1075236 (535-S)
INT. PARTS KIT (SPRING ASSIST OPEN) CONSISTS OF ITEM NO. 23	1075236 (535-S)
INT. PARTS KIT (LIMIT STOP/POS INDICATOR) CONSISTS OF ITEM NO'S 24 THRU 31	1075235 (535-PI)

CONVERSION KITS	
DESCRIPTION	PART NO.
CONVERSION KIT (LIMIT STOP) CONSISTS OF ITEM NO'S 18 THRU 22	1071343 (K535-LSC)
CONVERSION KIT (SPRING ASSIST CLOSED) CONSISTS OF ITEM NO. 23	1075236 (535-S)
CONVERSION KIT (SPRING ASSIST OPEN) CONSISTS OF ITEM NO. 23	1075236 (535-S)
CONVERSION KIT (POSITION INDICATOR) CONSISTS OF ITEM NO'S 24 THRU 32	1071344 (K535-PI)

NO.	DESCRIPTION	PART NO.	QTY.
<b>LIMIT STOP MODEL</b>			
18	ADJUSTING SCREW	1073432 (V535-576)	1
19	O-RING	BUNA N 1071668 (ORB-012)	1
		FKM 1071787 (ORV-012)	
20	LS GUIDE	PVC 1073428 (V535-571)	1
		CPVC 1073430 (V535-573)	
21	O-RING	BUNA N 1071676 (ORB-024)	1
		FKM 1071791 (ORV-024)	
22	CAP	1073408 (V535-420K)	1
<b>SPRING ASSIST CLOSED MODEL &amp; SPRING ASSIST OPEN MODEL</b>			
23	SPRING	1073404 (V535-170)	1
<b>LIMIT STOP/ POSITION INDICATOR MODEL</b>			
24	SCREW ASSY	1073437 (V535-700)	1
25	O-RING	BUNA N 1071676 (ORB-024)	1
		FKM 1071791 (ORV-024)	
26	O-RING	BUNA N 1071668 (ORB-012)	1
		FKM 1071787 (ORV-012)	
27	LS/PI GUIDE	PVC 1073427 (V535-570)	1
		CPVC 1073429 (V535-572)	
28	INDICATOR SHAFT	1073426 (V535-555)	1
29	PI CLEAR CAP	1073424 (V535-550)	1
30	SHAFT	PVC 1073438 (V535-701)	1
		NORYL 1073441 (V535-706)	
31	UPPER DIA. PLATE	PVC 1073409 (V535-442)	1
		NORYL 1073410 (V535-443)	
32	CAP	1073408 (V535-420K)	1

SEE REVERSE SIDE FOR  
STANDARD NORMALLY OPEN MODEL

FORM NO. 1077690

F	CORRECTED SAO & SAC KIT P/N'S	NONE	MSM	29MAR06	SMN
REV	DESCRIPTION	ECO	DWN	DATE	APVD
		16605 West Victor Rd New Berlin, WI 53151 262-326-0100 www.aq-matic.com			
<b>SERIES 535 DIAPHRAGM VALVE STANDARD MODEL</b>					
DRAWN	JWB	DATE	21JUN01	DRAWING NO.	1084010